



Art for Dumpsters

CALL FOR SUBMISSIONS

DALLAS SANITATION SERVICES IN COLLABORATION WITH
DEEP ELLUM COMMUNITY ASSOCIATION

SATURDAY, APRIL 2nd

SUBMISSIONS DEADLINE: MARCH 22nd

ABOUT:

The City of Dallas Sanitation Services Department provides over 140 recycling drop-off locations throughout Dallas. The Art for Dumpsters project aims to bring art to public spaces by taking a mundane recycle container and providing a new canvas for expression. The project allows artists to showcase their artwork on a City recycle dumpster that will be painted on Saturday, April 2, 2016 from 7am to 5pm at the Deep Ellum Arts Festival. The final works will be exhibited on containers throughout the City of Dallas and the Best in Show award will be chosen as a wrap for a City of Dallas collections truck.

We encourage artists to enter as a solo artist or as a team. A maximum of five people per team. Teams larger than five people will be disqualified.

The five winning artists (or teams) must be present at the Deep Ellum Arts Festival on April 2nd 2016 to paint the dumpsters between 7am and 5pm.

THE FIVE WINNING ARTISTS RECEIVE:

- \$250.00 FOR SUPPLIES
- \$2250.00 (FINALIST AWARD)
- BEST IN SHOW WILL RECEIVE AN ADDITIONAL \$1500.00 AWARD
- MEDIA RECOGNITION - YOUR ART WILL BE ON DISPLAY AT FIVE VARIOUS RECYCLING DROP-OFF LOCATIONS WITHIN THE CITY OF DALLAS AND ON A SANITATION SERVICES COLLECTIONS TRUCK
- RECOGNITION AT EARTH DAY TEXAS - YOUR FINISHED ARTWORK WILL BE ON DISPLAY AT EARTH DAY TEXAS

- LUNCH WILL BE PROVIDED FOR EACH COMPETING ARTIST ON THE DAY OF THE EVENT.
- ARTISTS WILL RECEIVE CHECKS AT THE DEEP ELLUM ARTS FESTIVAL. **YOU MUST BE PRESENT AT THE AWARDS CEREMONY TO RECEIVE THE CHECK OR YOU WILL FORFEIT THE PAYMENT.** TEAMS MUST DESIGNATE ONE PERSON AS THE CHECK RECIPIENT.

CALENDAR:

FEBRUARY 29, 2016

MARCH 22, 2016

MARCH 25, 2016

MARCH 29, 2016

ISSUE CALL FOR ARTISTS

SUBMISSIONS OF ART WORK DUE BY 5PM

SELECTION AND ANNOUNCEMENT OF ARTIST

CONTRACT COMPLETE

APRIL 2, 2016

THE 5 WINNING ARTISTS MUST BE PRESENT AND MURALS MUST BE COMPLETED BETWEEN 7AM AND 5PM AT THE DEEP ELLUM ARTS FESTIVAL. PRESENTATION OF CHECKS TO ARTIST(S) BY 7PM.

APRIL 22, 2016

THE WINNING DUMPSTERS WILL BE DISPLAYED AT EARTH DAY TEXAS. A SYNOPSIS OF THE ARTIST AND THE MURAL'S MESSAGE WILL BE INCLUDED IN THE DISPLAY.

OVERVIEW:

Please see Attachment – Overview for more information on the Art for Dumpsters project.

CRITERIA:

Please see Attachment - Overview for information on the contest criteria.

CONTAINER DIMENSIONS:

Please see the Entry Form below. For more information, please call 214-670-4475 or email DallasRecycles@dallascityhall.com

ENTRY INFORMATION:

No entry fee is required.

Artists are to submit their proposed work to the Dropbox at <http://bit.ly/art4dumpsters> with the following information:

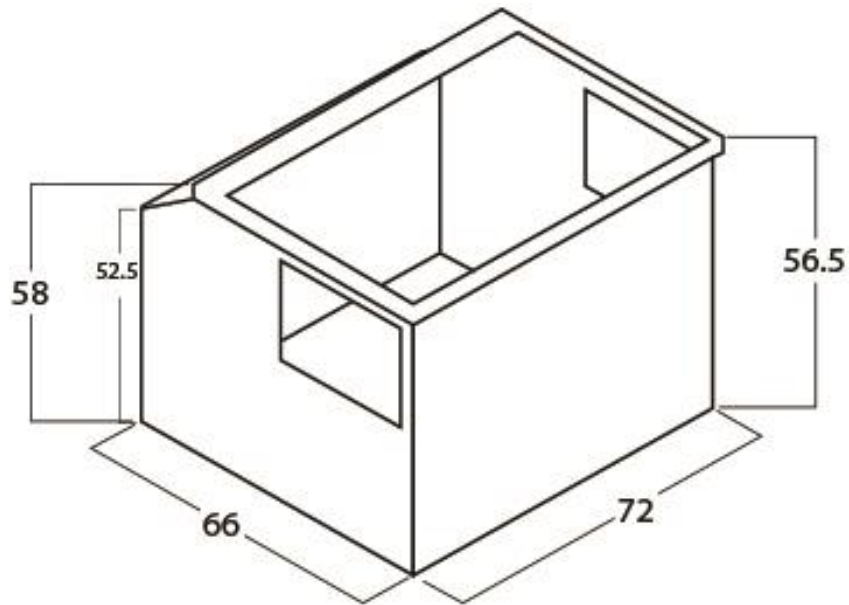
1. Proposed artwork for the recycle container. Artwork must be submitted in 4 (four) PDF files (one file for each side of the container).
2. Examples of 2 murals or large pieces of work by you or the team.
3. **ONLY DIGITAL FORMS OF YOUR ARTWORK WILL BE ACCEPTED.**

If you have any questions, please call 214-670-4475 or email DallasRecycles@dallascityhall.com.

Fill out the Entry Form located at the end of this document and submit it along with the PDFs by the Submissions Deadline: **March 22nd at Midnight.**

Artist will be notified by email and a phone call that you have been selected for the Deep Ellum Arts Festival competition. The decision of the jurors is final and indisputable.

The color of the actual container will be gray primer.



ENTRY FORM • 2016 ART FOR DUMPSTERS

Please provide the following information and submit this Entry Form together with your pdf of your proposed artwork (4 sides) and 2 examples of previous work.

Name of Artist:

Address:

Phone Number:

E-mail Address:

Title of Artwork:

File Names for Attached Artwork:

This certifies that the artist has read and understood the requirements for entry and consents to all sections of this Call for Submissions for Art for Dumpsters.

Artist Signature _____

Date of Signature _____