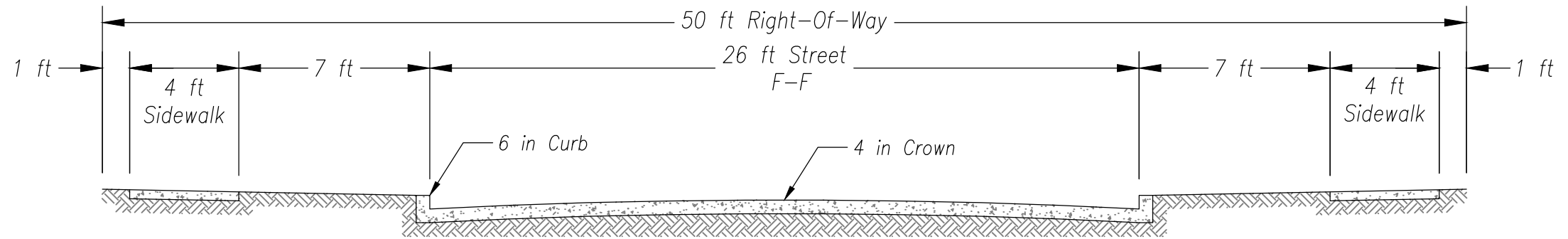
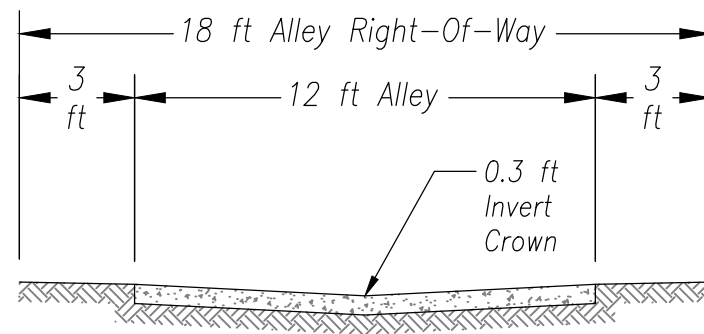


EXHIBIT A



26 ft Street Section



18 ft Alley Section