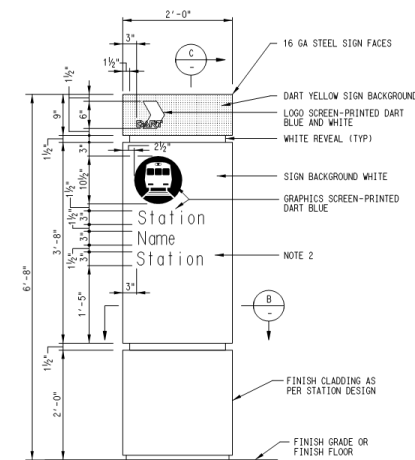
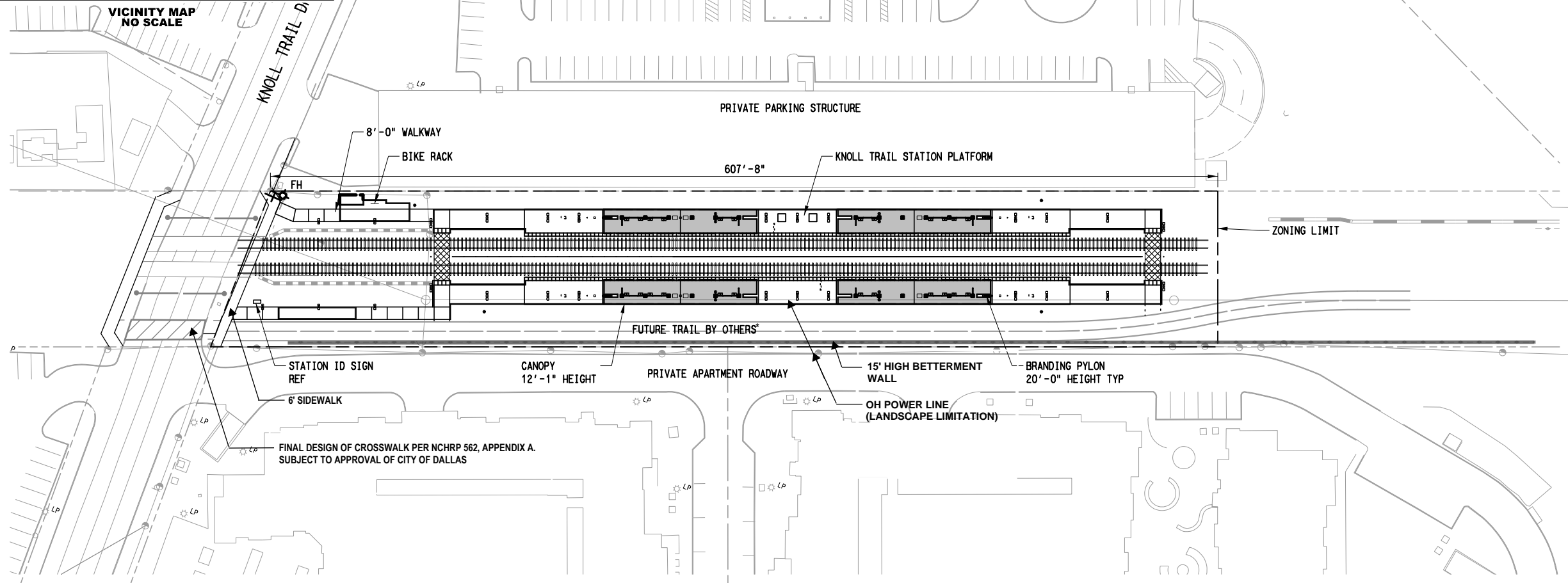


DATA:	
CANOPY AREA	1,630 SQFT
TOTAL 4 CANOPIES	6,520 SQFTT
CANOPY HEIGHT	12'-1"
SITE AREA	62,681 SQFT



STATION NAME = KNOLL TRAIL STATION

ELEVATION 1  
SCALE: NTS

\* CITY OF DALLAS IS RESPONSIBLE FOR FUNDING AND IMPLEMENTATION OF FUTURE TRAIL

TRAIL BLAZER SIGNAGE TO BE PROVIDED TO DIRECT DROP OFF TRAFFIC TO ADDISON STATION

ARCHITECTURAL SITE PLAN A  
SCALE: 1"=40'-0"

NOT AN APPROVED DRAWING

CONTRACT SHEET No. 16 OF 71

COTTON BELT REGIONAL RAIL  
LINE SECTION CB-3

KNOLL TRAIL STATION  
SITE PLAN

REV	AMEND	CR	DATE	DESCRIPTION	BY	ENG	CHK	APP

**IN-PROGRESS REVIEW**  
THIS DOCUMENT IS RELEASED FOR THE PURPOSE OF REVIEW UNDER THE AUTHORITY OF:  
ROBERT MANLEY, R.A. 20027  
ON  
30-JUL-2020 15:08  
JACOBS  
TBPE FIRM NO. F-2966  
IT IS NOT TO BE USED FOR CONSTRUCTION, BIDDING, OR PERMIT PURPOSES.



**DART PROJECT**

© DART, all rights reserved, 1987-2020

SCALE	1"=40'-0"
DRAWN	D. SMITH
DESIGNED	A. IGWE
CHECKED	C. McCAFFEE-DUNCAN
IN CHARGE	A. ZREET
DATE	10 JUL 20

CONTRACT	DWG No.	REV
C-2033270-01	AC1-7101	D

30-JUL-2020 15:08  
CB03-AC1-7101.040  
DeBlieM  
Default