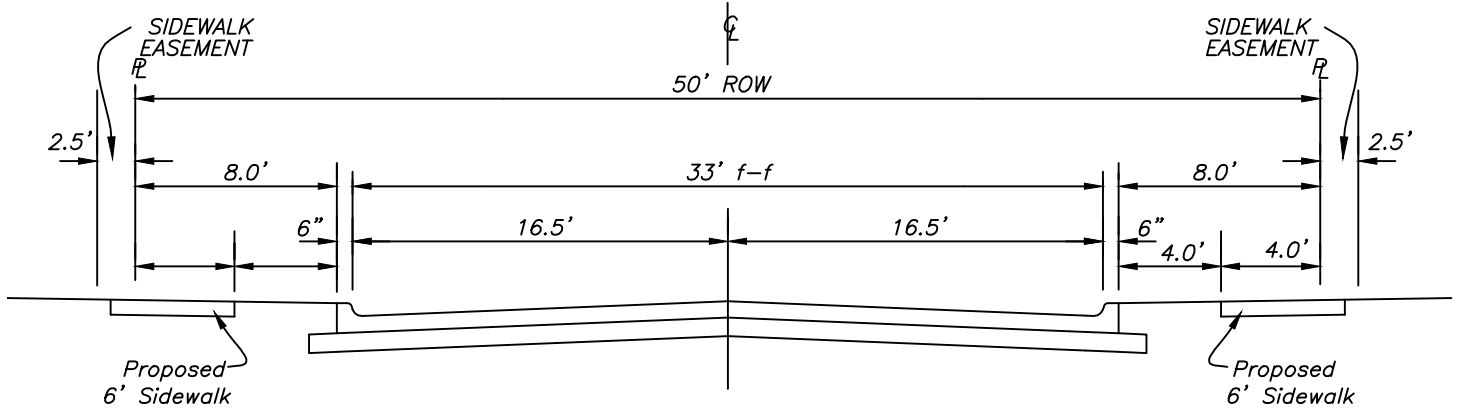
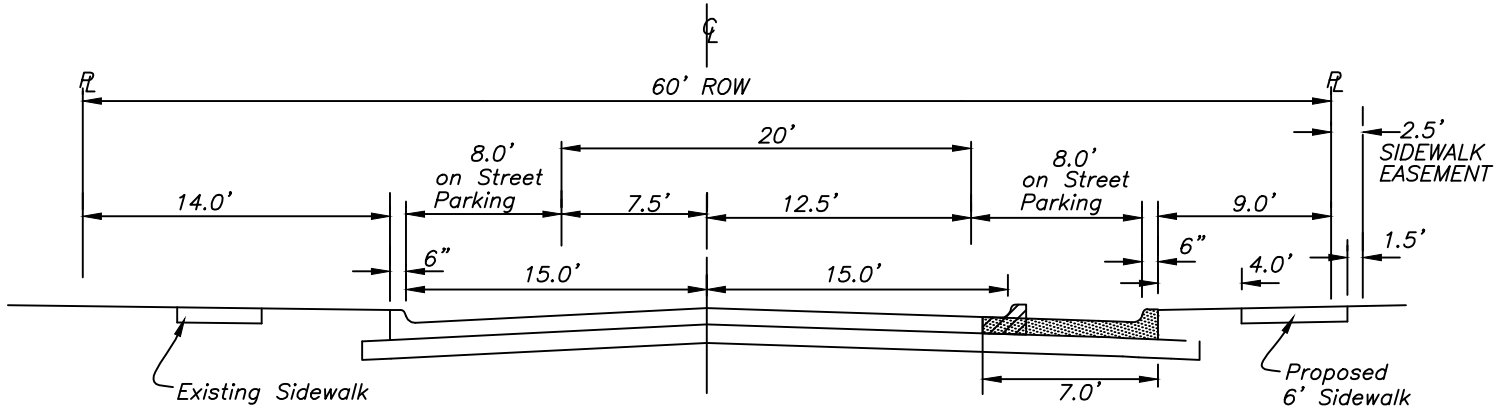


# TYPICAL STREET SECTIONS



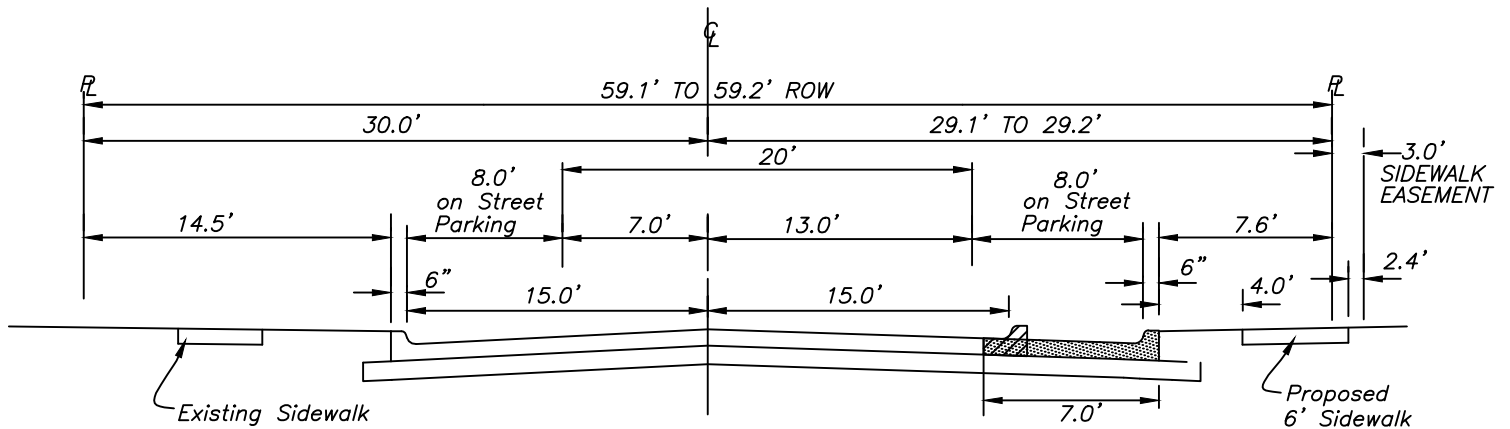
## BEAUMONT TYPICAL PAVEMENT SECTION

(NO SCALE)



## COCKRELL TYPICAL PAVEMENT SECTION

LOOKING NORTHWEST  
(NO SCALE)



## MCKEE TYPICAL PAVEMENT SECTION

LOOKING SOUTHWEST  
(NO SCALE)