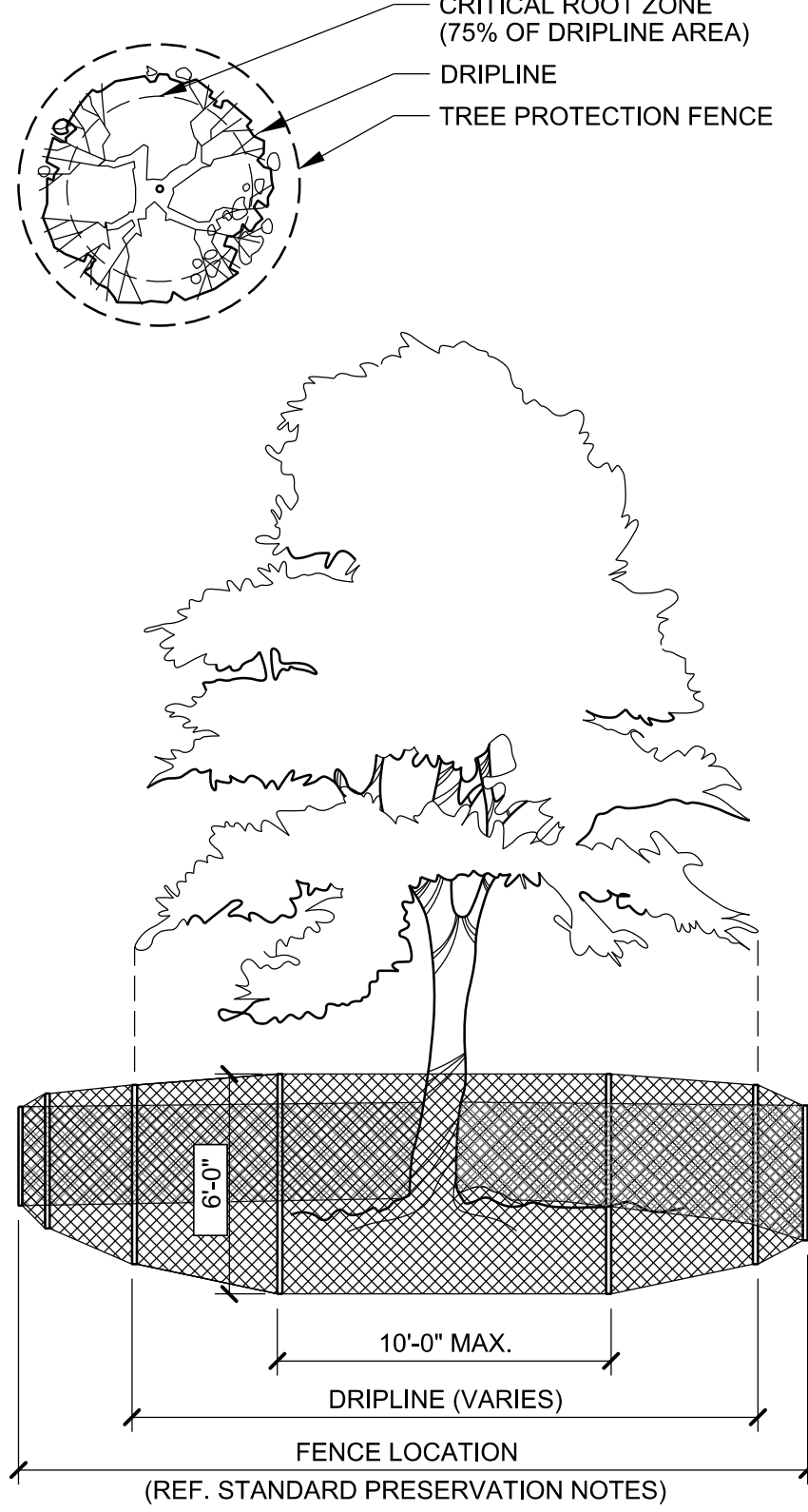
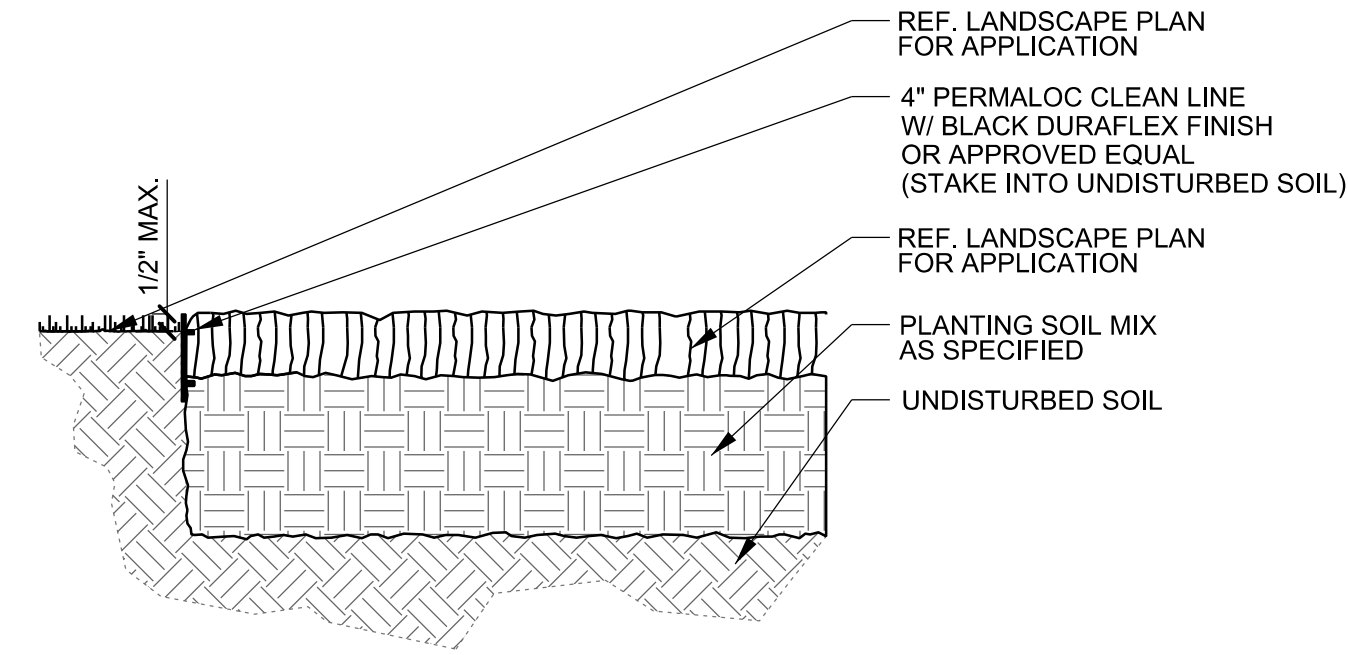


**PLAN VIEW**



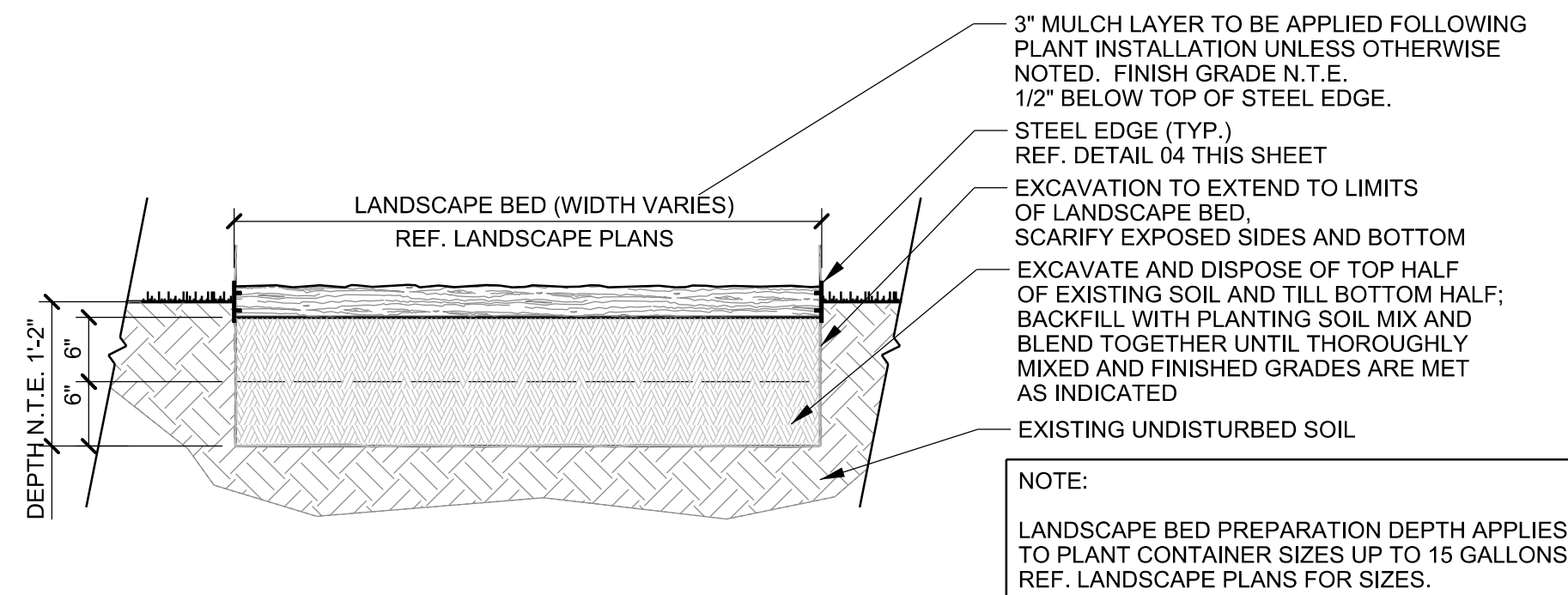
**STANDARD PRESERVATION NOTES FOR TREE AND NATURAL AREA PROTECTION**

- All trees and natural areas shown on plan to be preserved shall be protected during construction with temporary fencing and other measures as needed which may include retaining walls, pruning of limbs, roots, etc.
- Protective fences shall be erected according to City Standards for Tree Protection.
- Protective fences shall be installed prior to the start of any site preparation work (clearing, grubbing or grading), and shall be maintained throughout all phases of the construction project.
- Erosion and sedimentation control barriers shall be installed or maintained in a manner which does not result in soil build-up within tree drip lines.
- Protective fences shall surround the trees or group of trees, and will be located no closer than the outermost limit of branches (drip line) plus an additional 2'-0" away from the limits of dripline. For natural areas, protective fences shall follow the Limit of Construction line, in order to prevent the following:
  - Soil compaction in the root zone area resulting from vehicular traffic or storage of equipment or materials;
  - Root zone disturbances due to grade changes (greater than 6 inches cut or fill), or trenching not reviewed and authorized by the City Parks Department;
  - Wounds to exposed roots, trunk or limbs by mechanical equipment;
  - Other activities detrimental to trees such as chemical storage, cement truck cleaning, and fires.
- Exceptions to installing fences at tree drip lines may be permitted in the following cases:
  - Where there is to be an approved grade change, impermeable paving surface, tree well, or other such site development, erect the fence approximately 2 to 4 feet beyond the area disturbed;
  - Where permeable paving is to be installed within a tree's drip line, erect the fence at the outer limits of the permeable paving area (prior to site grading so that this area is graded separately by hand prior to paving installation to minimize root damage);
  - Where trees are close to proposed buildings, erect the fence to allow root pruning in the work space between the fence and the building, prior to disturbance. The fence can be erected at the point of root pruning;
  - Where there are severe space constraints due to tract size, or other special requirements, contact an Arborist to discuss alternatives.
- Special Note: Exceptions are permitted for areas outside the critical root zone. No disturbances are permitted within the critical root zone (75% of the dripline area). For the protection of natural areas, no exceptions to installing fences at the Limit of Construction line will be permitted, and no siting of stock piling of material or dirt is allowed around trees.
- Where any of the above exceptions result in a fence being closer than 4 feet to a tree trunk, protect the trunk with strapped-on planking to a height of 8 ft. in addition to the reduced fencing provided.
- Trees approved for removal shall be removed in a manner which does not impact trees to be preserved.
- Any roots exposed by construction activity shall be pruned flush with the soil. Backfill root areas with good quality top soil as soon as possible. If exposed root areas are not backfilled within 2 days, cover them with organic material in a manner which reduces soil temperature and minimizes water loss due to evaporation.
- Trenching required for the installation of irrigation shall be placed as far from existing tree trunks as possible.
- No landscape topsoil dressing greater than 2 inches shall be permitted within the drip line of trees. No soil or mulch is permitted on the root flare of any tree.
- Limbing & pruning to provide clearance for structures, traffic and equipment shall take place before damage occurs.
- All finished pruning shall be done according to recognized, approved standards of the industry (Reference the National Arborist Association Pruning Standards for Shade Trees).

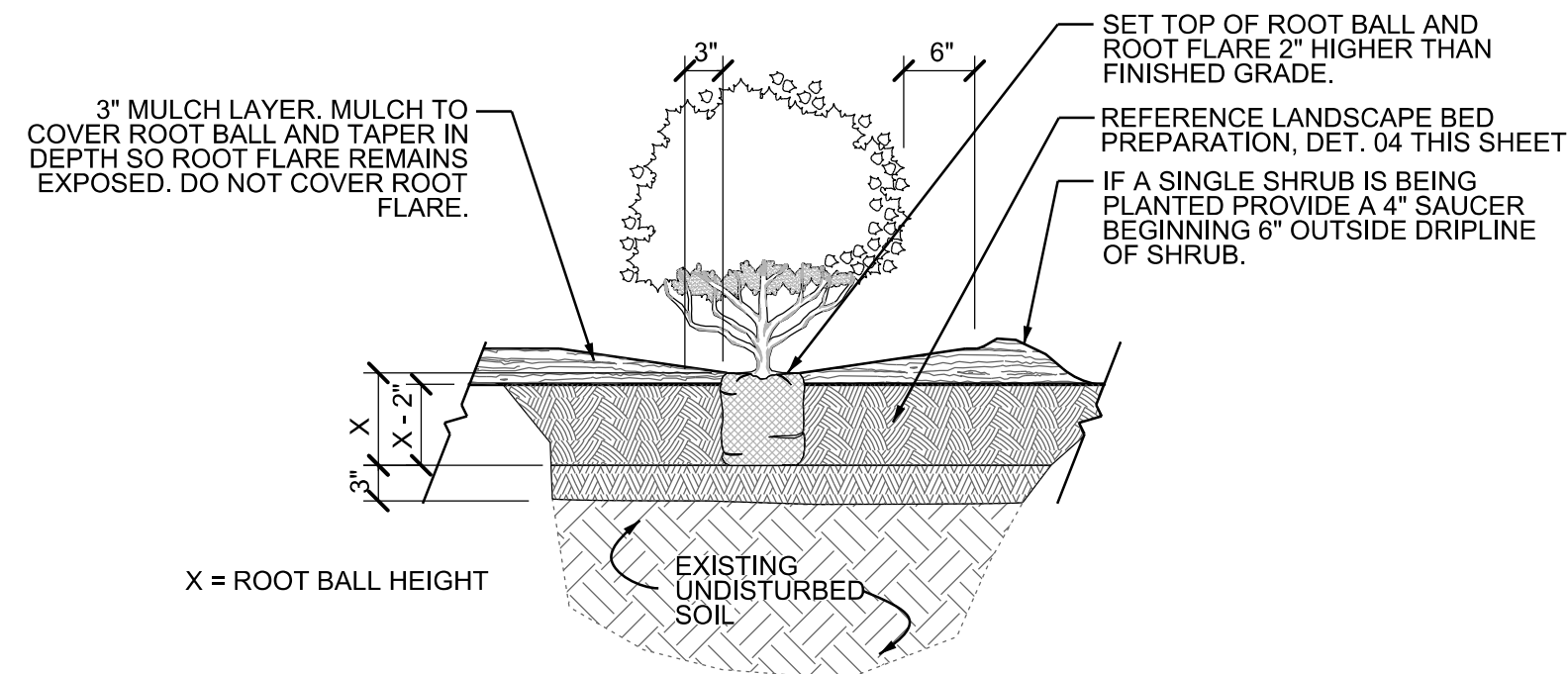


**04 LANDSCAPE EDGE (TYP.)**  
SCALE: 1" = 1'-0" SECTION

**01 TREE PROTECTION DETAIL**  
SCALE: N.T.S.

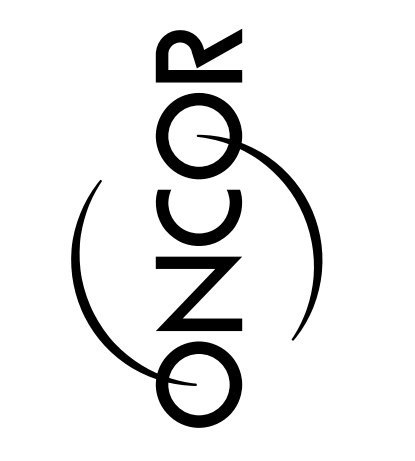


**02 LANDSCAPE BED PREPARATION**  
SCALE: 3/4" = 1'-0"



**03 SHRUB PLANTING DETAIL**  
SCALE: 3/4" = 1'-0"

**ONCOR ELECTRIC DELIVERY COMPANY**  
SCYENE ROAD SUBSTATION  
DALLAS, TEXAS



**HALFF**  
3883 PARKWOOD BLVD, SUITE 800  
FRISCO, TEXAS 75034-2640  
TEL: (214) 618-4570  
FAX: (214) 618-4574

Revision No.	Date	Description

**PRELIMINARY FOR INTERIM REVIEW ONLY**  
THESE DOCUMENTS ARE FOR INTERIM REVIEW AND ARE NOT INTENDED FOR REGULATORY APPROVAL, PERMIT, BIDDING OR CONSTRUCTION PURPOSES. THEY WERE PREPARED BY OR UNDER THE SUPERVISION OF:  
JOHNATHAN G. POMIETLO 3083  
NAME R.L.A. NO.  
DATE 12/8/2016

Project No.:	30884
Issued:	12/06/2016
Drawn By:	JGP
Checked By:	JDB
Scale:	AS NOTED
Sheet Title	LANDSCAPE DETAILS
<b>L2.01</b>	
Sheet Number	