



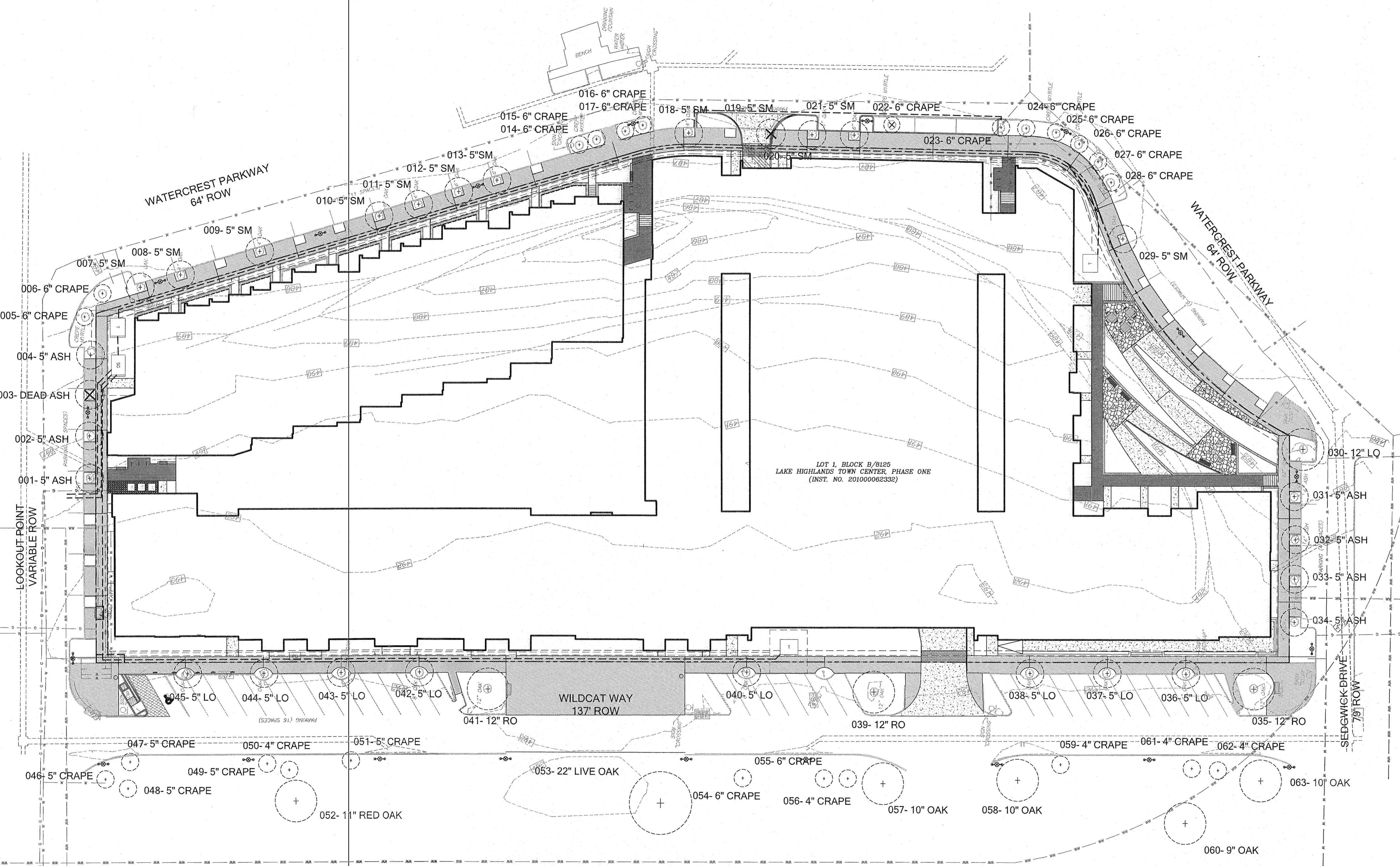
Scale: 1" = 30'-0"  
0 15 30 60 Feet

### TREE PRES. LEGEND

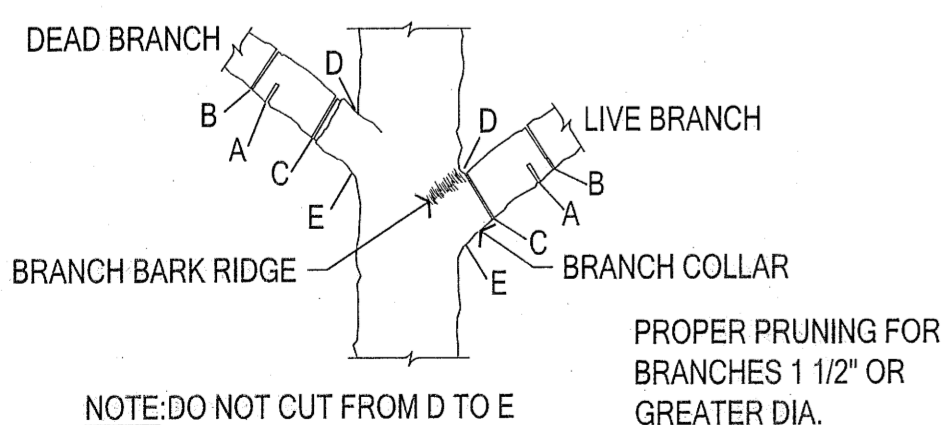
- PROPERTY LINE
- SETBACK LINE
- ROW LINE
- ⊕ EXISTING TREE TO REMAIN
- ⊗ EXISTING TREE TO BE REMOVED
- ⊕ 2x4 TREE PROTECTION
- TREE PROTECTION FENCE

### TREE PRESERVATION NOTES

- A. ALL TREES SHALL REMAIN UNLESS NOTED ON THE PLANS.
- B. NO SITE PREPARATION WORK SHALL BEGIN IN AREAS WHERE TREE PRESERVATION AND TREATMENT MEASURES HAVE NOT BEEN COMPLETED.
- C. ALL EXISTING TREES DENOTED TO REMAIN SHALL BE PROTECTED AT THE ROOT PROTECTION ZONE (RPZ). THE RPZ SHALL BE DETERMINED BY TREE SIZE (RECOMMENDED 12" RADIUS FROM TRUNK FOR EVERY 1" IN DIAMETER OF TRUNK AT 4.5' FROM GROUND) WITH A MINIMUM 5' DIAMETER FROM THE TRUNK.
- D. A CHAIN LINK FENCE BARRIER DELINEATING THE RPZ SHALL BE ERRECTED AND MAINTAINED BY THE CONTRACTOR UNTIL CONSTRUCTION IS COMPLETED.
- E. RPZ SHALL BE SUSTAINED IN A NATURAL STATE AND SHALL BE FREE FROM VEHICULAR OR MECHANICAL TRAFFIC.
- F. THE RPZ SHALL BE COVERED WITH MULCH AND BE MAINTAINED BY GENERAL CONTRACTOR DURING CONSTRUCTION PHASE TO REDUCE MOISTURE STRESS.
- G. DURING CONSTRUCTION, NO EXCESS SOIL, ADDITIONAL FILL MATERIAL, EQUIPMENT, LIQUIDS, OR CONSTRUCTION DEBRIS SHALL BE PLACED INSIDE THE PROTECTION BARRIER, NOR SHALL ANY SOIL BE REMOVED FROM WITHIN THE BARRIER. ANY DAMAGE DONE TO EXISTING TREE CROWNS OR ROOT SYSTEMS SHALL BE CUT CLEANLY IMMEDIATELY AFTER INJURY. ALL WOUNDS TO LIVE OAKS SHALL BE PAINTED WITH PRUNING PAINT WITHIN 30 MINUTES AFTER DAMAGE. ROOTS EXPOSED DURING CONSTRUCTION OPERATIONS WILL BE CUT CLEANLY.
- I. THE PROPOSED FINISH GRADE AND ELEVATION OF LAND WITHIN THE RPZ OF ANY TREE TO BE PRESERVED SHALL NOT BE RAISED OR LOWERED MORE THAN THREE INCHES. WELLING AND RETAINING METHODS ARE ALLOWED OUTSIDE THE RPZ.
- J. THE RPZ SHALL REMAIN PVIOUS, I.E. GROUNDCOVER OR TURF AT COMPLETION OF LANDSCAPE INSTALLATION.
- K. THE ASSOCIATED TREE PROTECTION DETAIL COMPLIES WITH THE MINIMUM TREE PROTECTION GUIDELINES FROM THE CITY OF DALLAS.
- L. WHERE POSSIBLE, PROVIDE FENCE TO TREE DRIP LINE OR GROUP TREES IN FENCE PERIMETER TO PROVIDE INCREASED PROTECTION.
- M. NO WORK SHALL BEGIN IN AREAS WHERE TREE PRESERVATION AND TREATMENT MEASURES HAVE NOT BEEN COMPLETED AND APPROVED.
- N. TREES WHICH ARE DAMAGED OR LOST DUE TO THE CONTRACTOR'S NEGLIGENCE DURING CONSTRUCTION SHALL BE MITIGATED PER CITY OF DALLAS ARTICLE X.
- O. TREES MUST BE MAINTAINED IN GOOD HEALTH THROUGHOUT THE CONSTRUCTION PROCESS. MAINTENANCE MAY INCLUDE BUT IS NOT LIMITED TO: WATERING THE ROOT PROTECTION ZONE, WASHING FOLIAGE, FERTILIZATION, PRUNING, ADDITIONAL MULCH APPLICATIONS AND OTHER MAINTENANCE AS NEEDED ON THE PROJECT.
- P. ROOTS SHALL BE CUT WITH A ROCK SAW OR BY HAND, NOT BY AN EXCAVATOR OR OTHER ROAD CONSTRUCTION EQUIPMENT.

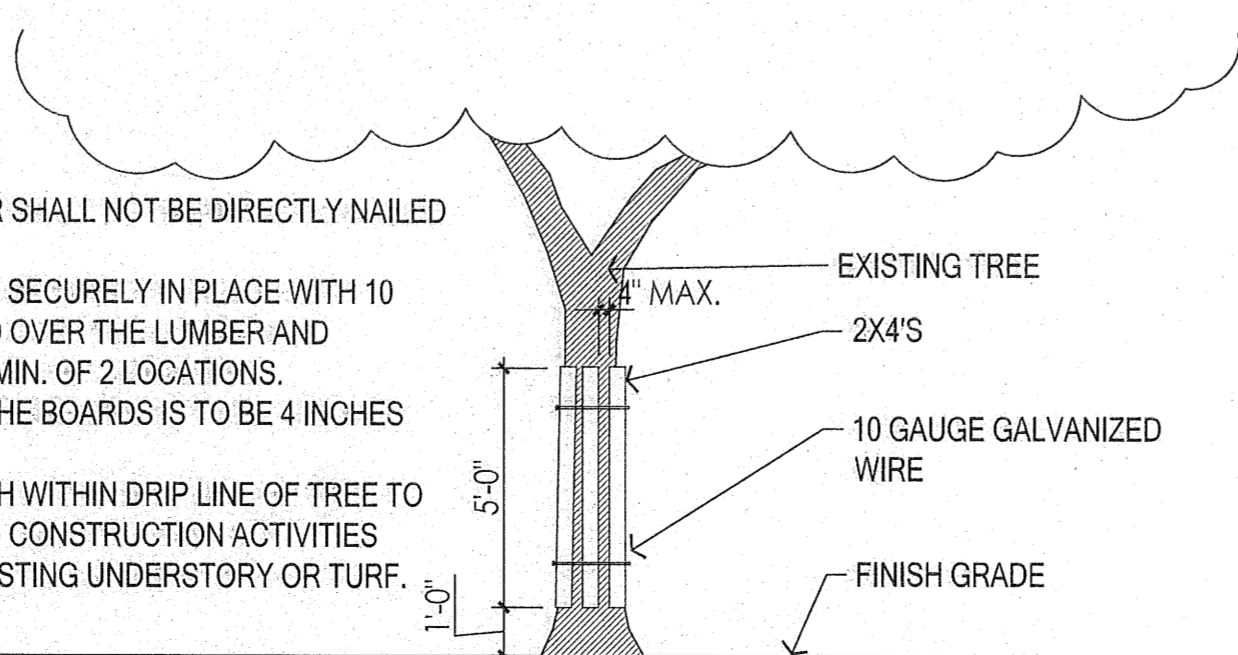


LOT 1, BLOCK B/8125  
LAKE HIGHLANDS TOWN CENTER, PHASE ONE  
(INST. NO. 201000062332)



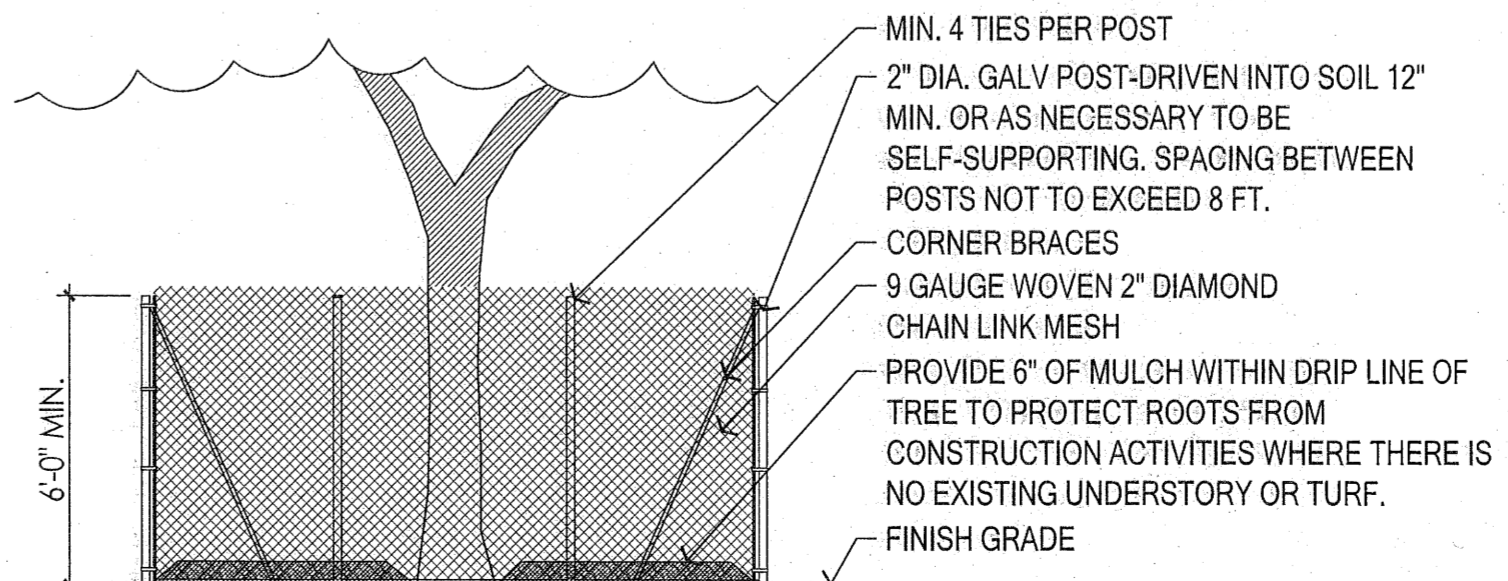
#### NOTES:

- 1. PROTECTIVE LUMBER SHALL NOT BE DIRECTLY NAILED TO THE TREE
- 2. 2x4'S SHALL BE HELD SECURELY IN PLACE WITH 10 GAUGE WIRE WRAPPED OVER THE LUMBER AND AROUND THE TREE AT MIN. OF 2 LOCATIONS.
- 3. THE GAP BETWEEN THE BOARDS IS TO BE 4 INCHES OR LESS.
- 4. PROVIDE 6" OF MULCH WITHIN DRIP LINE OF TREE TO PROTECT ROOTS FROM CONSTRUCTION ACTIVITIES WHEN THERE IS NO EXISTING UNDERSTORY OR TURF.



#### NOTE:

THE DRAWING BELOW DETAILS COMPLIANCE W/ THE MINIMUM TREE PROTECTION GUIDELINES FROM THE CITY OF SAN ANTONIO.



### 01-DETAIL: TREE PRUNING

SCALE: 1/4" = 1'-0"

### 02-DETAIL: TRUNK PROTECTION

SCALE: 1/4" = 1'-0"

### 03-DETAIL: TREE FENCE PROTECTION

SCALE: 1/4" = 1'-0"

No.	Date	Item	REVISIONS
1	11/10/2015	CITY COMMENTS #1	
2	12/14/2015	MINOR AMENDMENT	
3	01/12/2016	CITY COMMENTS #4	
4	02/09/2016	CYPRESS COMMENTS	

1601 S. MOPAC EXPRESSWAY, SUITE 160  
 AUSTIN, TX 78746 | 512.904.2200  
 DEVELOPMENT PLAN FOR PD 758,  
 SUBAREA C:  
 LOT 1, BLOCK B/8125  
 3.43 ACRES  
 LAKE HIGHLANDS TOWN CENTER  
 (CITY OF DALLAS, DALLAS COUNTY, TEXAS)  
 CASE NO. D156-002

Project No.	15108.00
Date	09.28.2015
Last Revision	02.09.2016