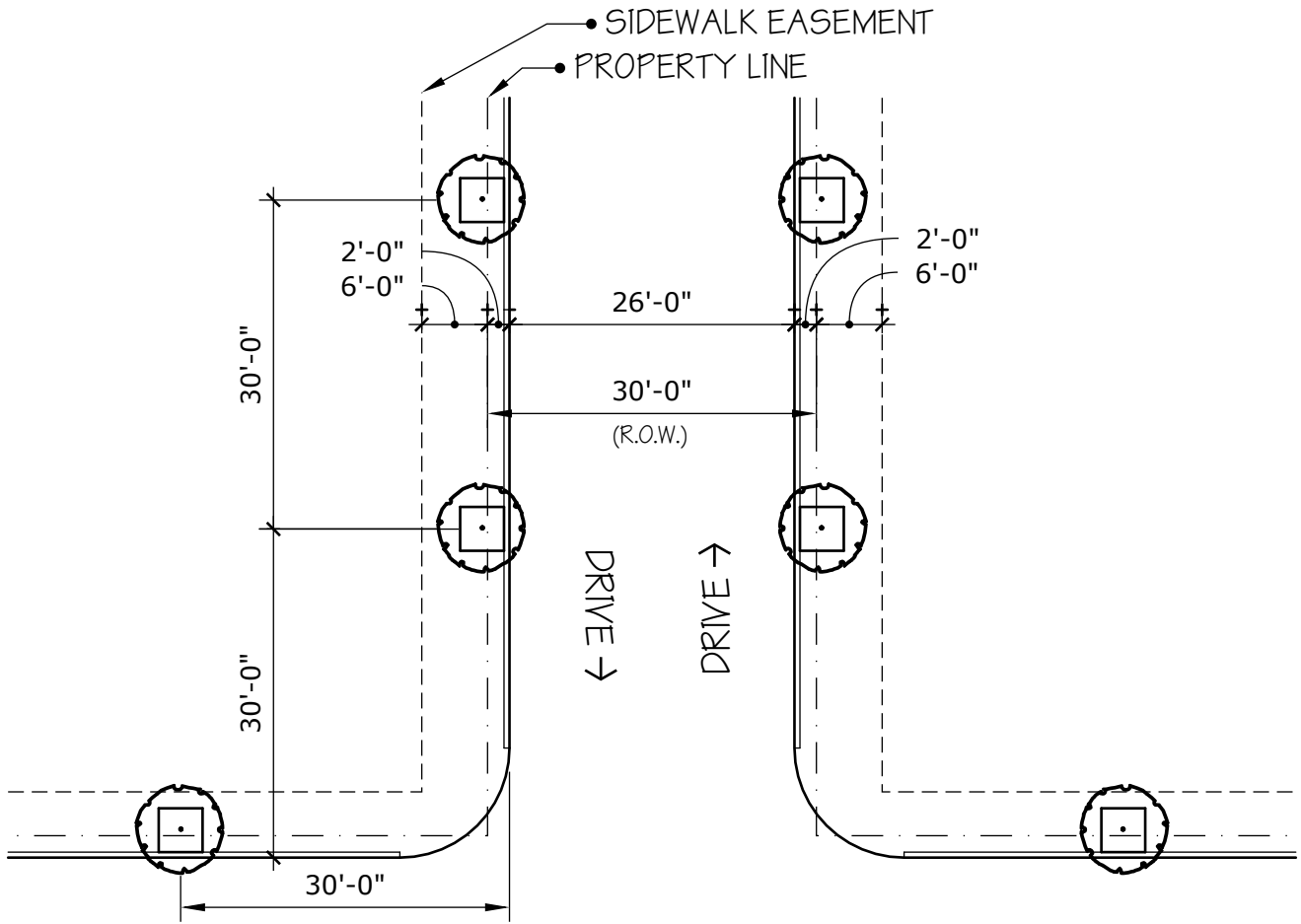
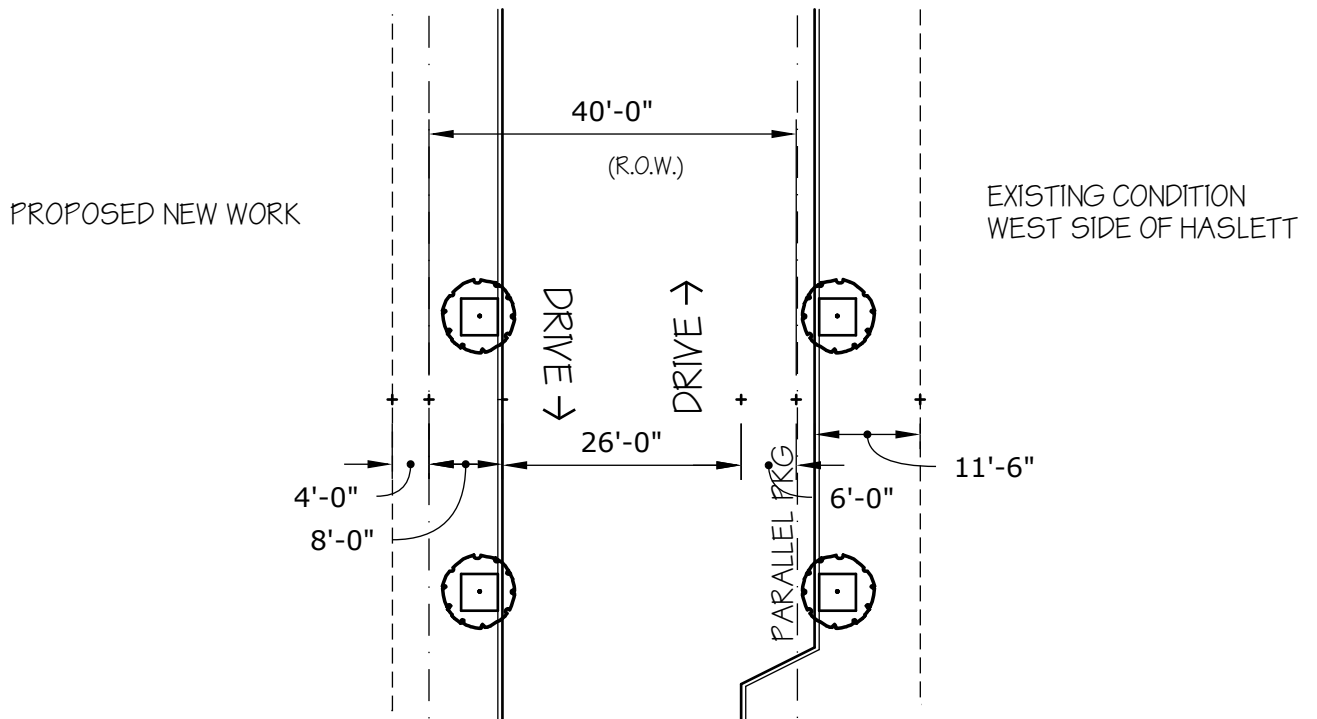


EXHIBIT 714F - STREET DIAGRAM

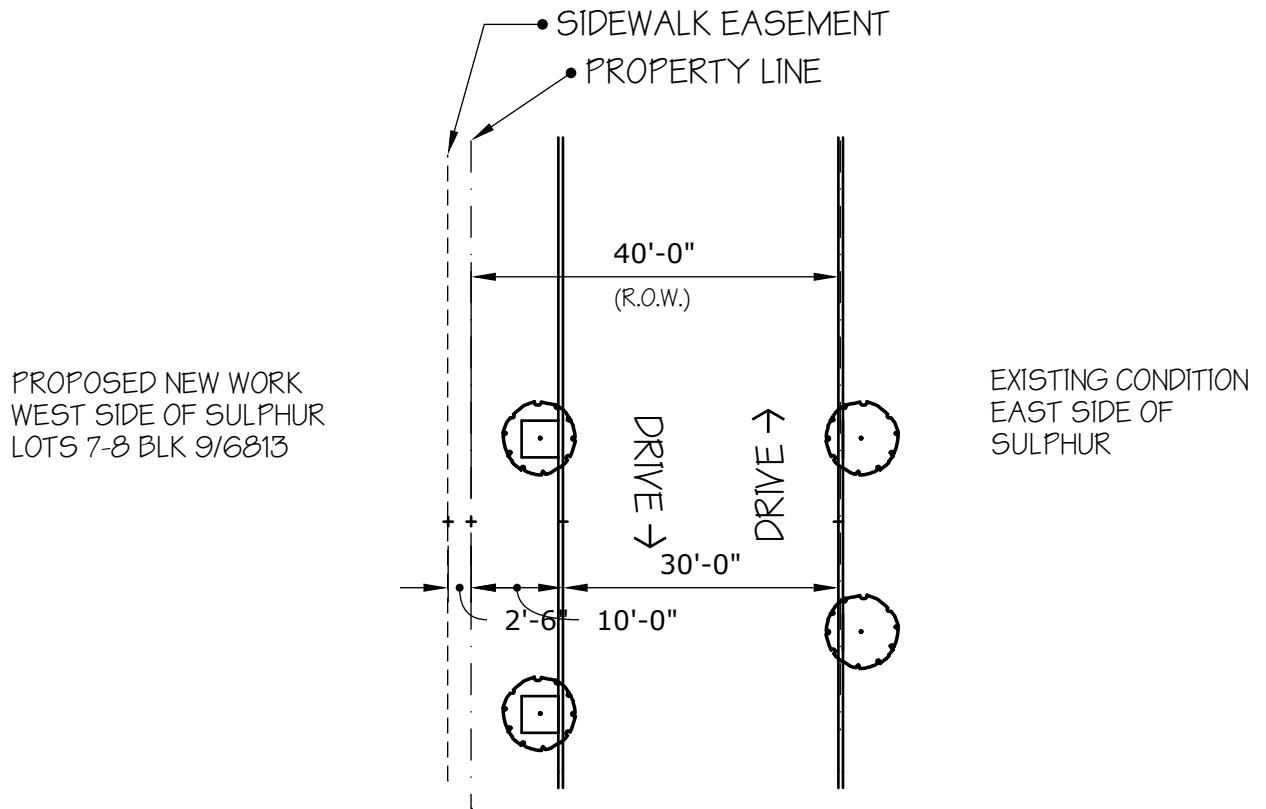


A :: 30' R.O.W. @ SUBDISTRICT 1
001 scale: N.T.S.



A :: 40' R.O.W. @ SUBDISTRICT 1
002 scale: N.T.S.

EXHIBIT 714F - STREET DIAGRAM



A	:: 40' R.O.W. @ SUBDISTRICT 1
002	scale: N.T.S.