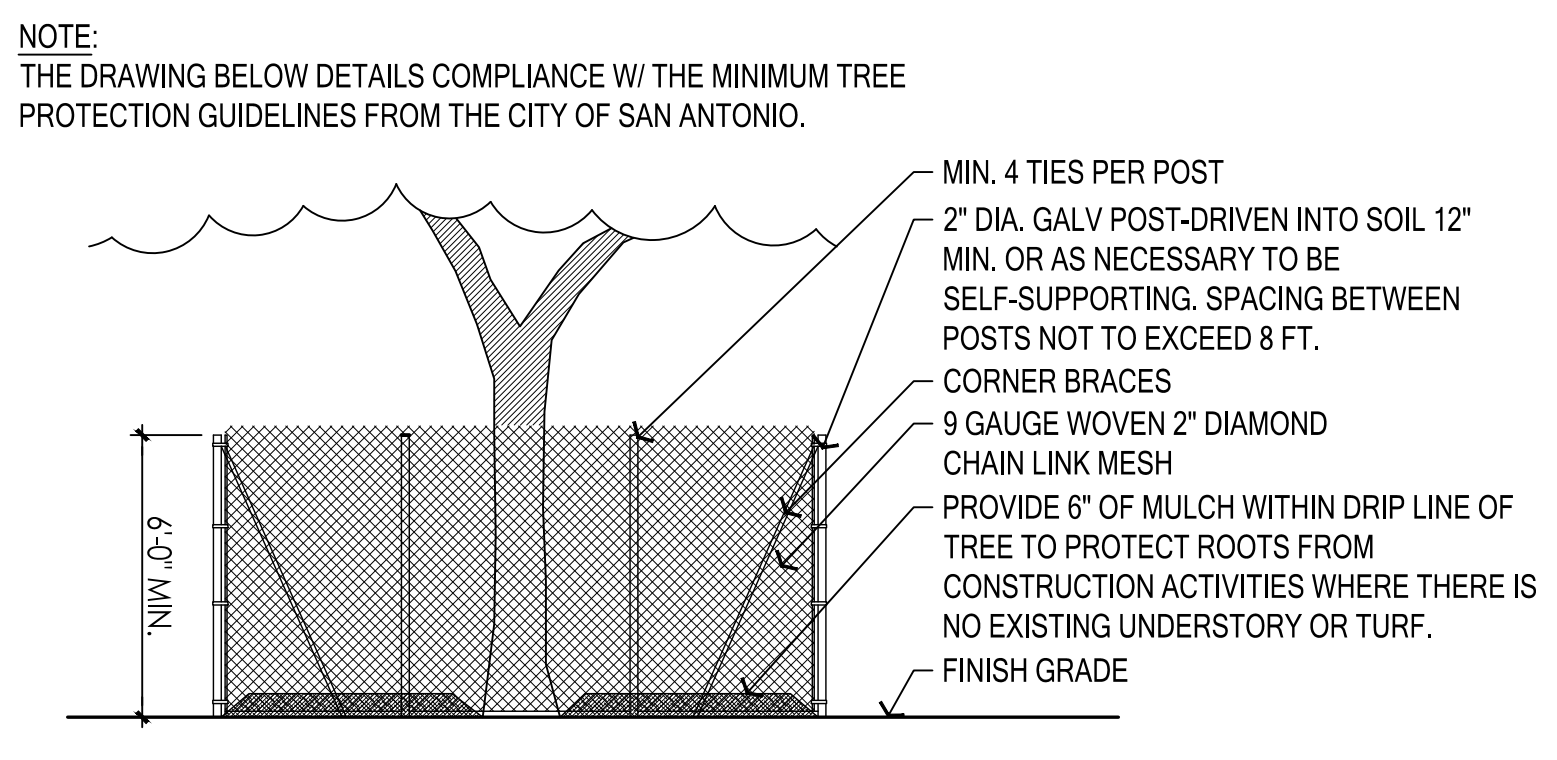
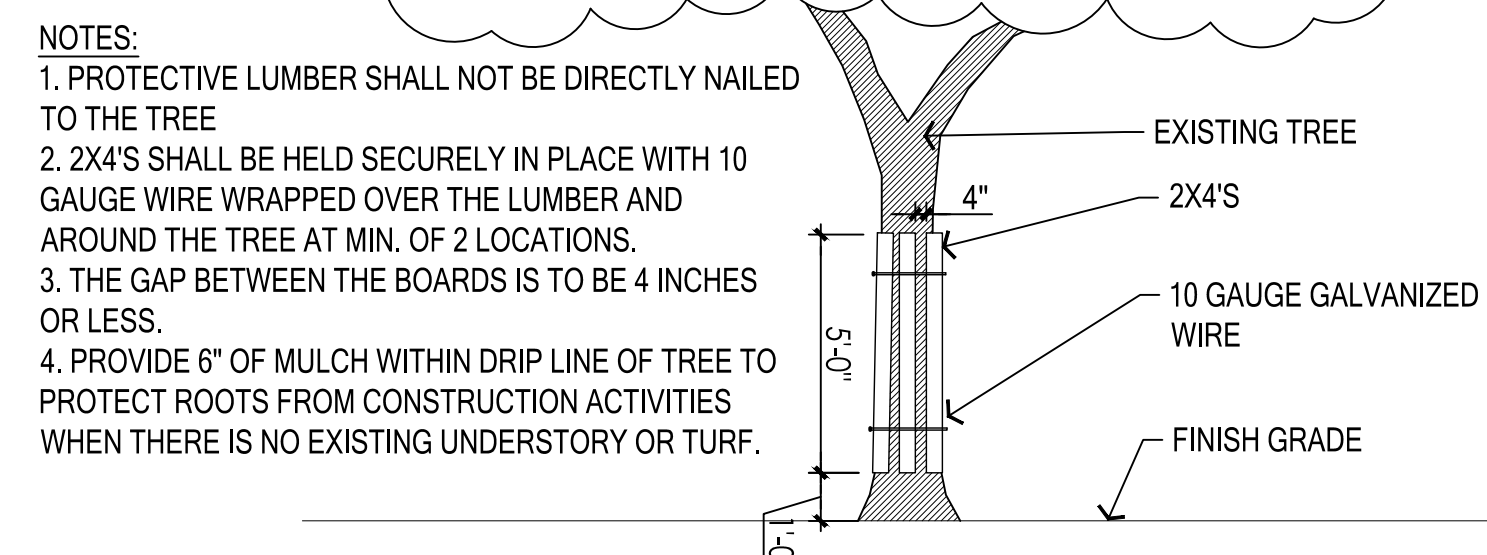
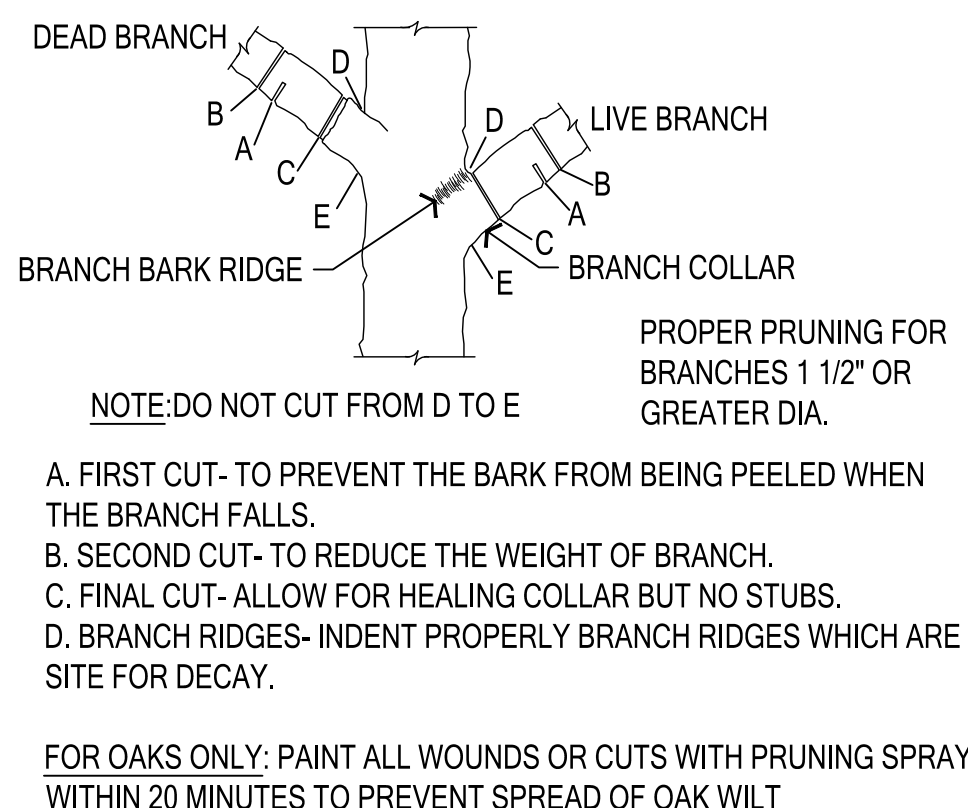


TREE PRES. LEGEND

| | |
|--|-----------------------------|
| | PROPERTY LINE |
| | SETBACK LINE |
| | ROW LINE |
| | EXISTING TREE TO REMAIN |
| | EXISTING TREE TO BE REMOVED |
| | 2x4 TREE PROTECTION |
| | TREE PROTECTION FENCE |

- TREE PRESERVATION NOTES**
- ALL TREES SHALL REMAIN UNLESS NOTED ON THE PLANS.
 - NO SITE PREPARATION WORK SHALL BEGIN IN AREAS WHERE TREE PRESERVATION AND TREATMENT MEASURES HAVE NOT BEEN COMPLETED.
 - ALL EXISTING TREES DENOTED TO REMAIN SHALL BE PROTECTED AT THE ROOT PROTECTION ZONE (RPZ). THE RPZ SHALL BE DETERMINED BY TREE SIZE (RECOMMENDED 12" RADIUS FROM TRUNK FOR EVERY 1" IN DIAMETER OF TRUNK AT 4.5' FROM GROUND) WITH A MINIMUM 5' DIAMETER FROM THE TRUNK.
 - A CHAIN LINK FENCE BARRIER DELINEATING THE RPZ SHALL BE ERECTED AND MAINTAINED BY THE CONTRACTOR UNTIL CONSTRUCTION IS COMPLETED.
 - RPZ SHALL BE SUSTAINED IN A NATURAL STATE AND SHALL BE FREE FROM VEHICULAR OR MECHANICAL TRAFFIC.
 - THE RPZ SHALL BE COVERED WITH MULCH AND BE MAINTAINED BY GENERAL CONTRACTOR DURING CONSTRUCTION PHASE TO REDUCE MOISTURE STRESS.
 - DURING CONSTRUCTION, NO EXCESS SOIL, ADDITIONAL FILL MATERIAL, EQUIPMENT, LIQUIDS, OR CONSTRUCTION DEBRIS SHALL BE PLACED INSIDE THE PROTECTION BARRIER, NOR SHALL ANY SOIL BE REMOVED FROM WITHIN THE BARRIER.
 - ANY DAMAGE DONE TO EXISTING TREE CROWNS OR ROOT SYSTEMS SHALL BE CUT CLEANLY IMMEDIATELY AFTER INJURY. ALL WOUNDS TO LIVE OAKS SHALL BE PAINTED WITH PRUNING PAINT WITHIN 30 MINUTES AFTER DAMAGE. ROOTS EXPOSED DURING CONSTRUCTION OPERATIONS WILL BE CUT CLEANLY.
 - THE PROPOSED FINISH GRADE AND ELEVATION OF LAND WITHIN THE RPZ OF ANY TREE TO BE PRESERVED SHALL NOT BE RAISED OR LOWERED MORE THAN THREE INCHES. WELLING AND RETAINING METHODS ARE ALLOWED OUTSIDE THE RPZ.
 - THE RPZ SHALL REMAIN PERVIOUS, I.E. GROUND COVER OR TURF AT COMPLETION OF LANDSCAPE INSTALLATION.
 - THE ASSOCIATED TREE PROTECTION DETAIL COMPLIES WITH THE MINIMUM TREE PROTECTION GUIDELINES FROM THE CITY OF DALLAS.
 - WHERE POSSIBLE, PROVIDE FENCE TO TREE DRIP LINE OR GROUP TREES IN FENCE PERIMETER TO PROVIDE INCREASED PROTECTION.
 - NO WORK SHALL BEGIN IN AREAS WHERE TREE PRESERVATION AND TREATMENT MEASURES HAVE NOT BEEN COMPLETED AND APPROVED.
 - TREES WHICH ARE DAMAGED OR LOST DUE TO THE CONTRACTOR'S NEGLIGENCE DURING CONSTRUCTION SHALL BE MITIGATED PER CITY OF DALLAS ARTICLE X.
 - TREES MUST BE MAINTAINED IN GOOD HEALTH THROUGHOUT THE CONSTRUCTION PROCESS. MAINTENANCE MAY INCLUDE BUT IS NOT LIMITED TO: WATERING THE ROOT PROTECTION ZONE, WASHING FOLIAGE, FERTILIZATION, PRUNING, ADDITIONAL MULCH APPLICATIONS AND OTHER MAINTENANCE AS NEEDED ON THE PROJECT.
 - ROOTS SHALL BE CUT WITH A ROCK SAW OR BY HAND, NOT BY AN EXCAVATOR OR OTHER ROAD CONSTRUCTION EQUIPMENT.



DEVELOPMENT PLAN FOR PD 758,
SUBAREA C:
5.80 ACRES
LOT1, BLOCK C/8125
LAKE HIGHLANDS TOWN CENTER
CITY OF DALLAS, DALLAS COUNTY, TEXAS

CASE NO. _____

Kimley»Horn
Tel. No. (972) 335-5889
Fax No. (972) 335-5779

OWNER: PCH Land Partners, LP
Dallas, Texas

LAKE HIGHLANDS TOWN CENTER
SKILLMAN STREET AND WALNUT HILL LANE
DALLAS, TEXAS

DEVELOPMENT PLAN
FOR PD 758
TREE PRESERVATION /
REMOVAL PLAN

Scale: AS SHOWN
Designed by: MSB
Drawn by: MSB
Checked by: MSB
Date: 06/30/2017
Project No.: GFF 14208

LS 1.0