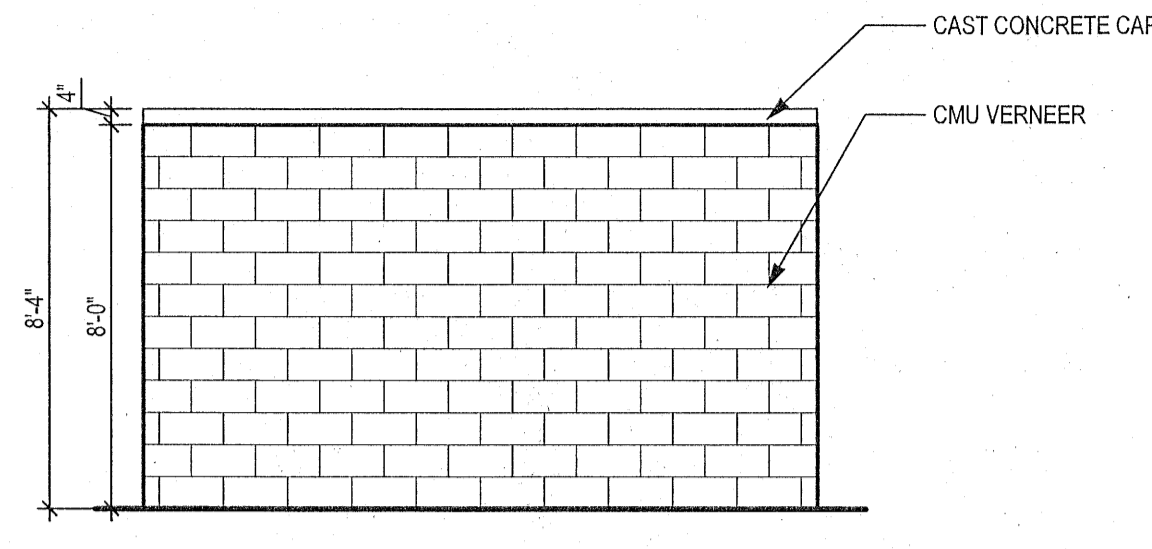
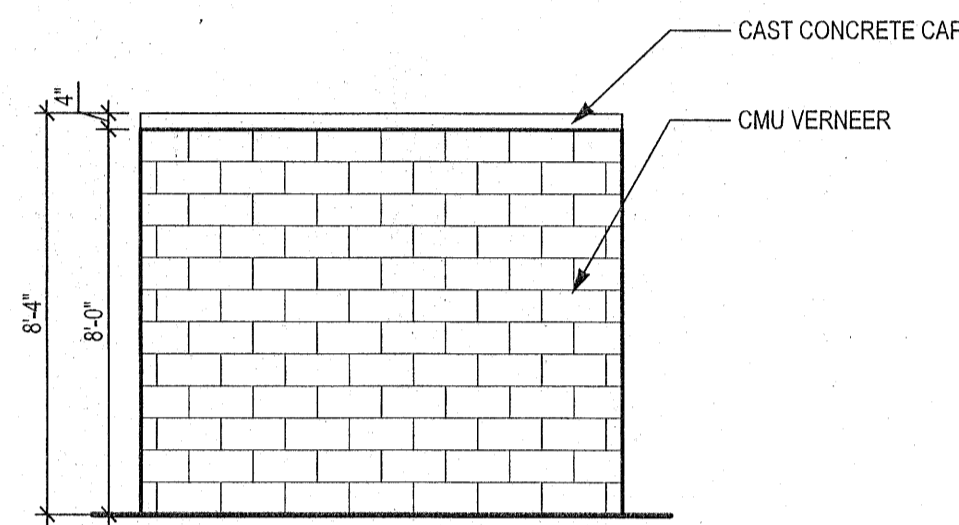


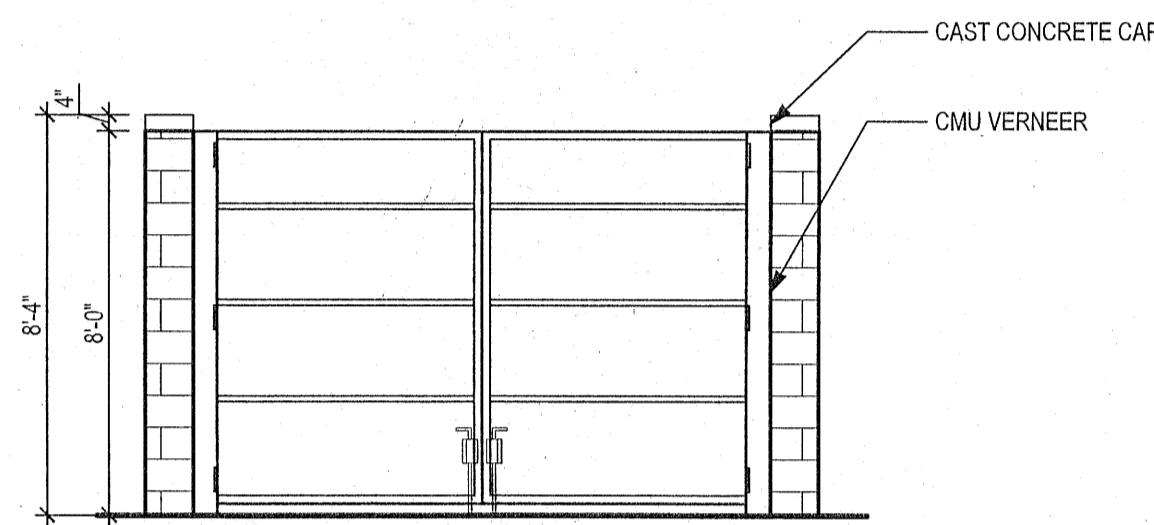
03 DUMPSTER ENCLOSURE
1/4"=1'-0"



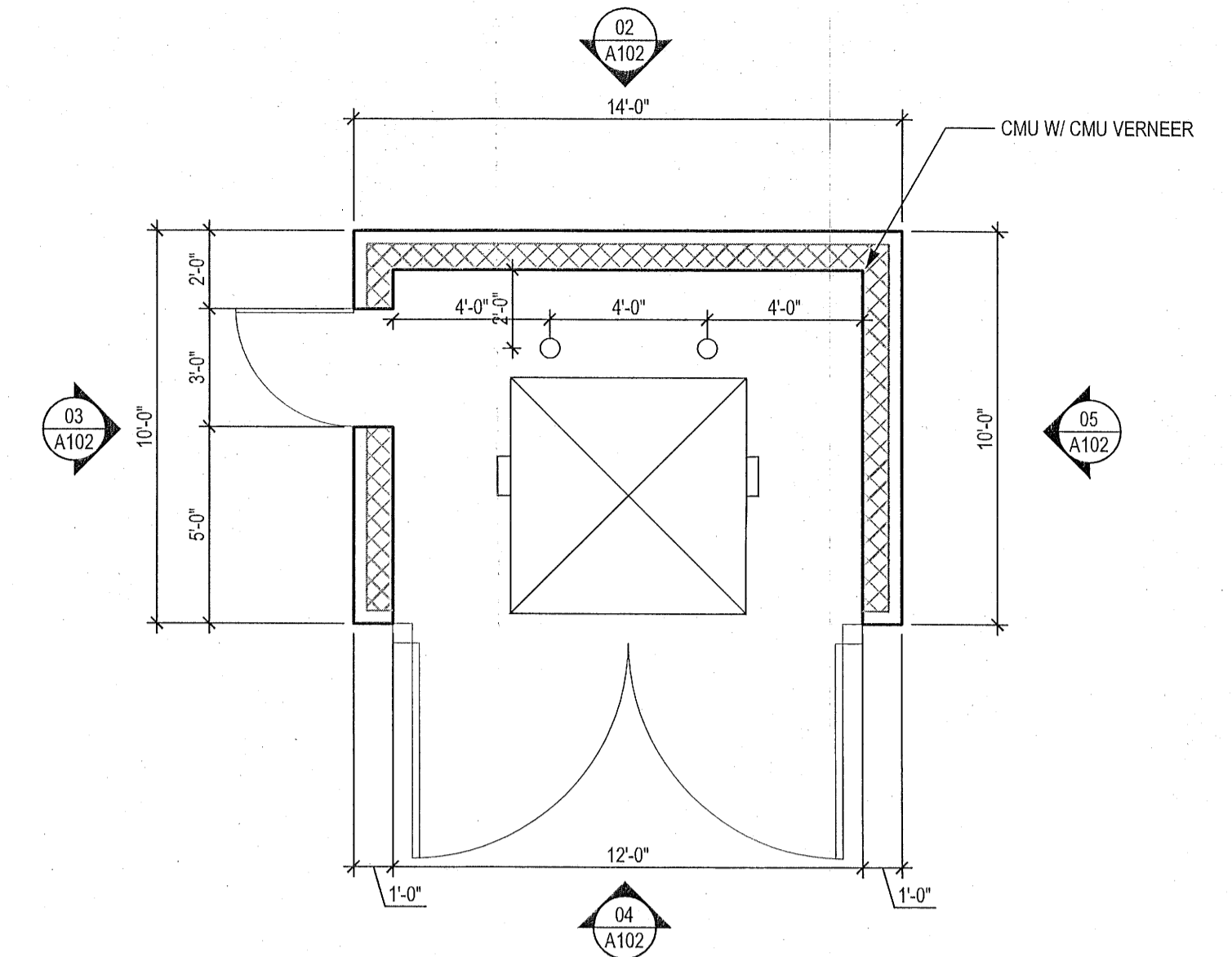
02 DUMPSTER ENCLOSURE
1/4"=1'-0"



05 DUMPSTER ENCLOSURE
1/4"=1'-0"



04 DUMPSTER ENCLOSURE
1/4"=1'-0"



01 DUMPSTER ENCLOSURE
1/4"=1'-0"

DATE	DESCRIPTION
07-16-2018	CITY REVIEW

