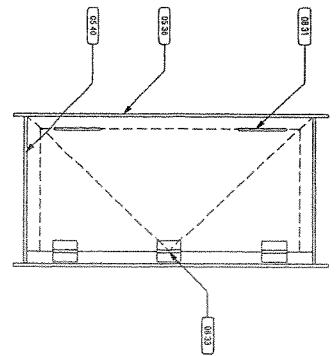
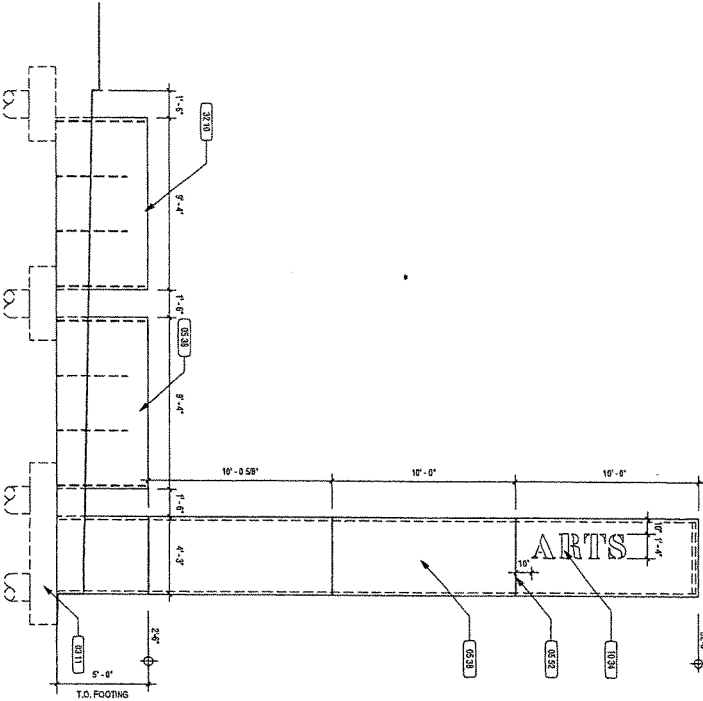


KEYNOTE LEGEND	
KEY VALUE	KEYNOTE TEXT

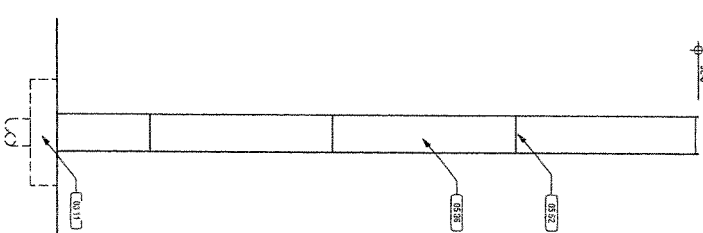
03 11	CONCRETE FOUNDATION (PER STRUCTURAL)
05 36	1/4" STEEL PLATE (PAINTED)
05 39	1/2" CORNER STEEL PLATE
05 40	1/2" STEEL PLATE (PAINTED)
05 52	1/2" REVEAL
08 31	1/4" PLATE STEEL LID WITH 1/2" DIA ROD HANDLE - PAINTED
08 33	EXTERIOR GRADE BALL BEARING HINGES
10 34	COPY/OUT LETTERING - BLOCK/OUT FROM TOWER INTERIOR - STENCIL FONT - LEADERS COULDN'T MAKE BOTH SIZES
12 11	PLANTER MOUNTED BRICK HOOK
22 10	CORNER STEEL PLANTERS



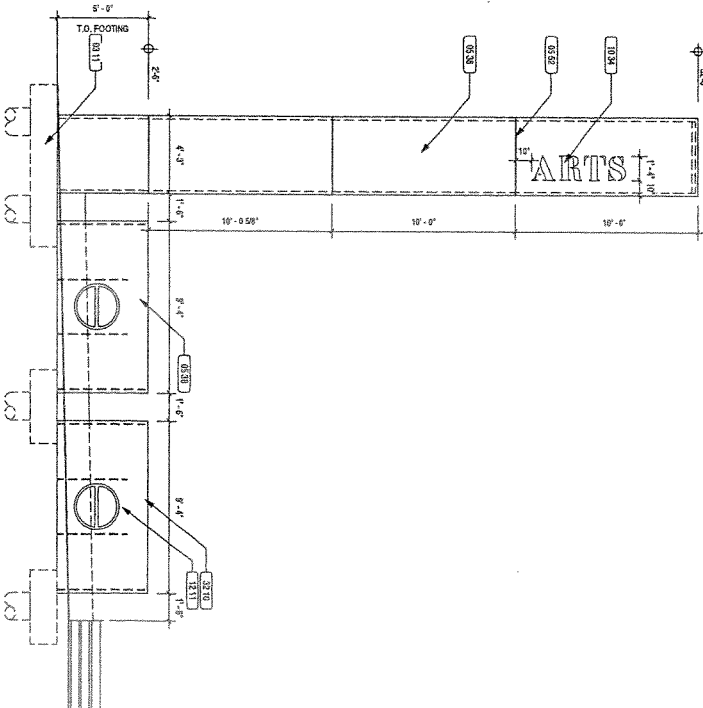
2 CORNER MARKER PLAN
1" = 1'-0"



4 CORNER MARKER ELEVATION
1/4" = 1'-0"



3 CORNER MARKER ELEVATION
1/4" = 1'-0"



1 CORNER MARKER ELEVATION
1/4" = 1'-0"

Exhibit 830D: Subdistrict 3A Building Corner Marker Elevation